

# GO GREEN WITHOUT GOING BROKE.



**Introducing  
the VTM S-3000 Hybrid Power System from Cummins Crosspoint.**

**THE MOST VERSATILE AND PRACTICAL HYBRID FOR  
CLASS 3-7 VEHICLES THAT'S ALSO THE MOST AFFORDABLE.**



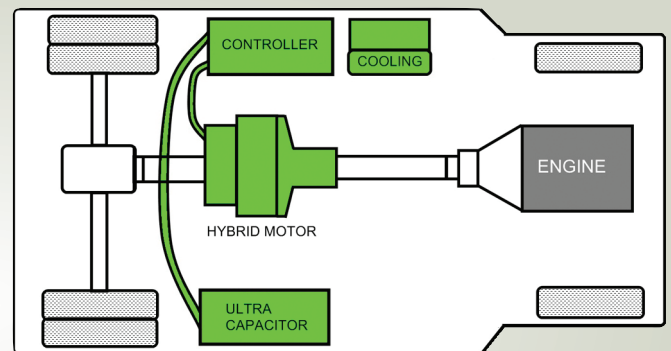
**Crosspoint**

# THE ONLY PRACTICAL HYBRID FOR NEW AND EXISTING FLEETS.

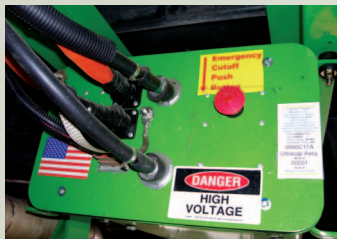
The VTM S-3000 is designed for all types of Class 3 through 7 vehicles including shuttle buses, refuse trucks, delivery vans and school buses. The perfect fit for both new and existing fleets. It can even be moved from one vehicle to another.

- Government compliant
- Minimal integration
- Diesel, Gas or CNG
- Reduce emissions as much as 35%
- Uses capacitors – no batteries needed
- Increase fuel mileage by 30%
- Extend brake life up to 8 times
- Capacitors guaranteed for 1 million cycles
- Installed and serviced by Cummins Crosspoint – one of the most respected names in the industry.

Saving fuel and reducing emissions is what the VTM S-3000 is all about. But it also happens to be the most affordable hybrid power system on the market. And it's a real workhorse. Automatically adding torque ahead of the engine to boost acceleration and then conserving energy normally lost in the braking process. It's also more than 500 pounds lighter than alternative systems because instead of batteries it uses ultra-capacitors to store energy. Not only is it practical, it's proven. The VTM S-3000 has been tested by real fleet users for two years. We're sure it will pass your scrutiny as well. That's because the price is significantly less than any other hybrid out there. Now you can go green without going broke.



Parallel Hybrid Drive Post Transmission



Ultra Capacitors – Maxwell Technologies



Variable Torque Motor – Emerson



Controller and Power Inverter

It's all about return on investment. No one delivers to your bottom line better than Cummins Crosspoint and Variable Torque Motors. Choose the VTM S-3000 and you won't just get a great hybrid solution – you'll get a trusted partner.



**Crosspoint**

Cummins Crosspoint  
2601 Fortune Circle East  
Suite 300C  
Indianapolis, IN 46241

317-484-2120  
merritt.becker@cummins.com  
crosspoint.cummins.com

**variable torque motors**

260-747-3633  
larryzepp@variabletorquemotors.com  
variabletorquemotors.com